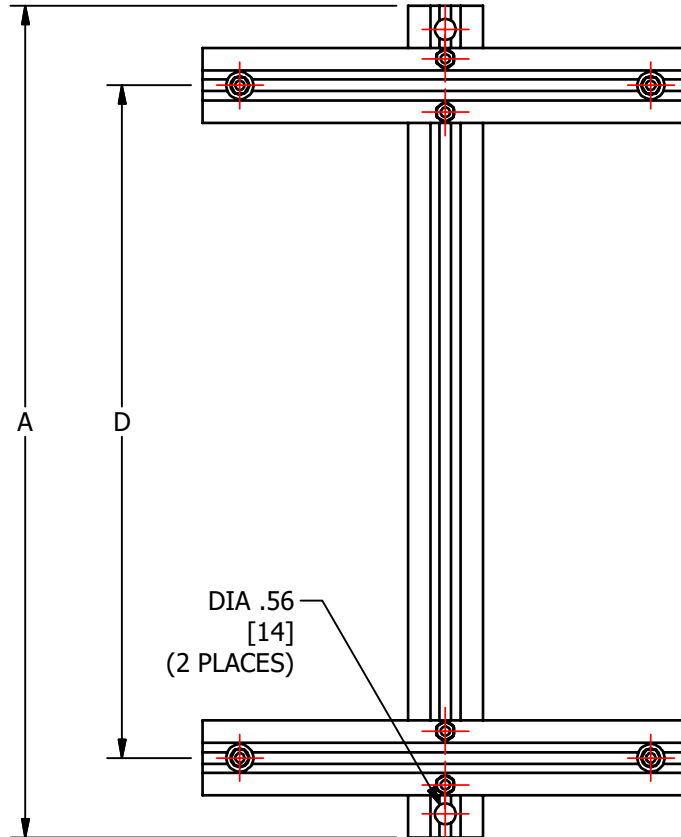
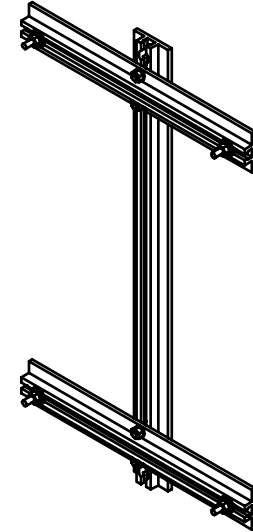
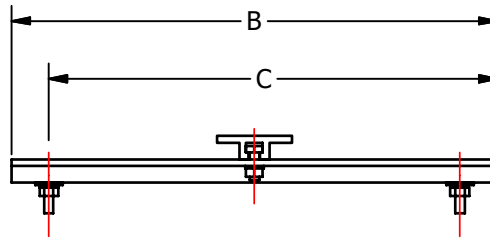
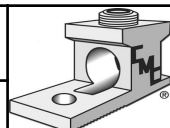


S.NO	CATALOG NUMBER	A	B	C	D
1	BCB-1218	22.25 [565]	13 [330]	12 [305]	18 [457]
2	BCB-1624	28.25 [718]	17 [432]	16 [406]	24 [610]
3	BCB-1830	34.25 [870]	19 [483]	18 [457]	30 [762]



NOTES:

- MATERIAL: ALUMINUM
- T-SLOT ADJUSTABLE MULTI-PURPOSE MOUNTING BRACKET FOR CABINETS OR OTHER LIGHT DUTY ENCLOSURES.
- BRACKET IS DESIGNED FOR ATTACHING TO POLES OR WALLS

					TO ORDER CMC PRODUCTS	DRAWN BY: TS 04-16-20	NAME OF PART: MULTI PURPOSE CABINET MOUNTING BRACKETS	CAT. NO.: BCB-1218
					UNITED STATES 1-513-860-4455	CHECKED BY:	DWG NO: UB20700002-S (CHARTED)	A
					CANADA 1-800-361-6975	DRAWING NOT TO SCALE		SHEET NO: 1 OF 1
					MEXICO 011-52-722-265-4400	NEW DRAWING CREATED		
A	NEW DRAWING CREATED		04-16-20	TS	FOR PRODUCT INFO www.cmlugs.com			
REV.	DESCRIPTION	ECN	DATE	INIT.				

THIS INFORMATION IS PROPRIETARY TO CONNECTOR MFG. CO. AND IS NOT TO BE DISCLOSED OUTSIDE OF CONNECTOR MFG. CO. WITHOUT A CONFIDENTIALITY AGREEMENT



CONNECTOR MANUFACTURING CO.

HAMILTON, OHIO